

| PNC | Model | Ref | Pag. | Brand | Version | Notes |
|---------------|-------------------|----------|------|------------|------------|---------------------------|
| 391111 | E9PCGD1MF0 | a | | ELX | GAS | 1X40 LT WELL |
| 391112 | E9PCGH2MF0 | b | | ELX | GAS | 2X40 LT WELLS |
| 391126 | E9PCED1MF0 | c | | ELX | EL | 1X40 LT WELL |
| 391127 | E9PCEH2MF0 | d | | ELX | EL | 2X40 LT WELLS |
| 391201 | E9PCGD1MF2 | e | | ELX | GAS | 1X40 LT WELL 208V |
| 391202 | E9PCGH2MF2 | f | | ELX | GAS | 2X40 LT WELLS 208V |
| 391273 | E9PCED1MFV | u | | ELX | EL | 1X40 LT WELL |
| 392126 | Z9PCED1MF0 | i | | ZAN | EL | 1X40 LT WELL |
| 392127 | Z9PCEH2MF0 | l | | ZAN | EL | 2X40 LT WELLS |
| 392111 | Z9PCGD1MF0 | m | | ZAN | GAS | 1X40 LT WELL |
| 392112 | Z9PCGH2MF0 | n | | ZAN | GAS | 2X40 LT WELLS |
| 393126 | A9PCED1MF0 | o | | OEM | EL | 1X40 LT WELL |
| 393127 | A9PCEH2MF0 | p | | OEM | EL | 2X40 LT WELLS |
| 393111 | A9PCGD1MF0 | q | | OEM | GAS | 1X40 LT WELL |
| 393112 | A9PCGH2MF0 | r | | OEM | GAS | 2X40 LT WELLS |
| 393212 | A9PCGD1MFK | s | | KIP | GAS | 1X40 LT WELL |
| 393213 | A9PCGH2MFK | t | | KIP | GAS | 2X40 LT WELLS |



PLATON SERVICE
8 (800) 500-34-4
www.platonservice.com

| Pag | Index | Indice | Note |
|--------|---------------------|----------------------|-----------------------------|
| 2 | General componets | Componenti struttura | |
| 3 - 4 | Hydraulic circuit | Impianto idraulico | |
| 5 - 6 | Gas components | Componenti Gas | |
| 7 | Electric Components | Componenti elettrici | From 8251 PDX2018-03 |
| 8 | Gas nozzles | Ugelli per gas | |
| 9...13 | Spare parts list | Lista ricambi | |

Brand/Marchio: All ; **FROM SERIAL 3 38 / DA MATRICOLA 3 38**

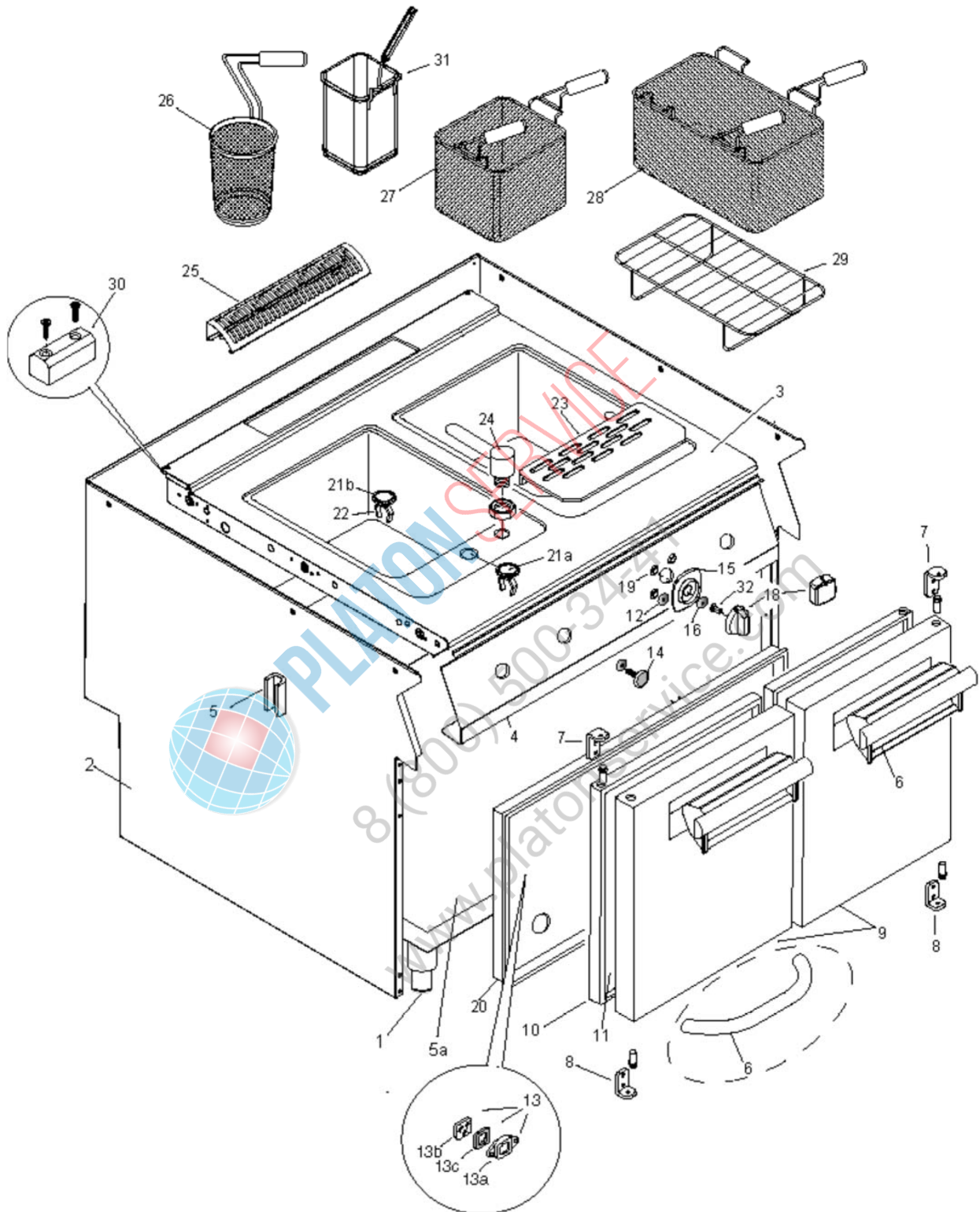
From sr. Nr/ Da Ser. Nr.: 3381

From status level / Da scatto:

Page: 1, ed 12, 2018 10

Doc. Nr.: **059785GJ00**

General components / Componenti struttura



From sr. Nr/ Da Ser. Nr.: 3381
From status level / Da scatto:

Page: 2, ed 12, 2018 10

Doc. Nr.: **059785GJ00**

| ?????? | 391126 | | | | | | | | | |
|--------|-----------|------------|-------------------|---|-----|--|---|--|-----------------------|--------|
| ?????? | 59785GJ00 | ???????? 2 | General componets | | | | | | | |
| . | | Alias | | S | | | . | | | (Euro) |
| 0001 | 0C0204 | 835856900 | | S | | | | FOOT; Ø=50,5MM; PIN M10; AISI 304 | | 22,11 |
| 0002 | 0CA526 | 85089DY02 | | | D | | | OUTER COVER | a,c,e | 270,00 |
| 0003 | 0C7619 | 87089A501 | | | | | | SHELF | c | 989,00 |
| 0004 | 0C7620 | 85089BF02 | | | | | | CONTROL PANEL | c,u | 66,69 |
| 0005 | 0C0156 | 527850500 | | | | | | BRACKET | | 2,41 |
| 0006 | 0C8769 | 54887AH00 | | S | | | | HANDLE | a,b,c,d,e,f | 33,50 |
| 0007 | 0C0139 | 516860901 | | S | | | | HINGE | | 5,86 |
| 0008 | 0C0138 | 516860801 | | S | | | | HINGE | | 5,86 |
| 0009 | 0C7157 | 50389G300 | | | | | | DOOR | a,b,c,d,e,f,i,l,m,n,u | 77,44 |
| 0010 | 0C7158 | 50489CQ00 | | | | | | INNER DOOR | | 33,80 |
| 0011 | 0C4433 | 565819900 | | | | | | SPACER | | 1,57 |
| 0011 | 0C7156 | 85089AA02 | | | | | | OVEN DOOR | a,b,c,d,e,f,i,l,m,n,u | 137,00 |
| 0012 | 0C6171 | 541813800 | 0C6172 | | | | | WASHER; SILICONE | | |
| 0014 | 0C0201 | 830898201 | | S | | | | MAGNET | | 18,30 |
| 0015 | 0C6802 | 548876G01 | | S | | | | RING NUT | a,b,c,d | 7,95 |
| 0015 | 0C7134 | 548877Y00 | | | | | | RING NUT | a,b,c,d | 7,95 |
| 0015 | 0C7178 | 548877X00 | | | | | | RING NUT | a,b,c,d | 10,14 |
| 0016 | 053816 | 543821000 | | S | | | | GASKET; ØI=4,5MM; ØE=14MM; H=3MM | | 3,29 |
| 0018 | 0C8646 | 54887AW00 | | S | Kit | | | ADAPTER; WITH KNOB; DIA.10; KIT | a,b,c,d,u - ELUX | 19,53 |
| 0018 | 0C8700 | 548877W00 | | S | Kit | | | KNOB WITH ADAPTER; DIA.6; KIT | a,b,c,d,e,f,u - ELUX | 19,63 |
| 0019 | 069567 | 218912211 | 0C6288 | | | | | RING CONNECTION | | |
| 0020 | 000000 | 50489Y400 | | | | | | | c,i,o,u | |
| 0022 | 054905 | 514848301 | | S | | | | SPRING FILTER; AISI 304 | | 8,26 |
| 0023 | 0C0559 | 528822601 | | | | | | DRIP TRAY | | 57,04 |
| 0024 | 0C5567 | 511832304 | | | | | | WATER SPOUT | | 64,96 |
| 0025 | 0C7333 | 50389LP00 | | S | | | | CHIMNEY GRID; L=400MM | | 25,68 |
| 0026 | 056917 | F927212 | | | | | | PASTA COOKER BASKET; DIA 170X180 MM | | 79,30 |
| 0026 | 056918 | F927213 | | S | | | | PASTA COOKER BASKET; Ø135X180MM | | 65,90 |
| 0027 | 056915 | F926210 | 0C1340 | | | | | PASTA COOKER BASKET; 275X150X180MM 2GRIF | | |
| 0027 | 056916 | F927211 | 0C1339 | | | | | PASTA COOKER BASKET; 275X230X180 MM | | |
| 0028 | 056920 | F927216 | 0C1341 | | | | | PASTA COOKER BASKET; 275X480X180 MM | | |
| 0029 | 056922 | F927219 | | S | | | | BOTTOM GRILL | | 39,10 |
| 0030 | 0C9655 | | | S | Kit | | | CONNECTION REAR PLATE; KIT | Screws and plate | 8,91 |
| 0031 | 0C9938 | F206236 | 0CA806 | | | | | PASTA COOKER BASKET; 140X140X215H | | 110,00 |
| 0032 | 0C8716 | 54887AQ00 | | S | + | | | ADAPTER; DIA.10 | a,b,c,d,u - ELUX | 3,45 |
| 005a | 0CA064 | 50389GX03 | | | D | | | BOTTOM PLATE | c,i,o | 32,68 |

| ?????? | 391126 | | | | | | | | | |
|--------|-----------|------------|-------------------|---|--|--|---|-----------------------------|-----------------------|-------|
| ?????? | 59785GJ00 | ???????? 2 | General componets | | | | | | | |
| . | | Alias | | S | | | . | | (Euro) | |
| 021a | 004836 | 506864501 | | S | | | | STRAINER; DIAM. 50MM | except for KIP | 10,27 |
| 021b | 0C6960 | 506899Z01 | | | | | | BOTTOM STRAINER; DIAM. 34MM | Also overflow for KIP | 17,98 |



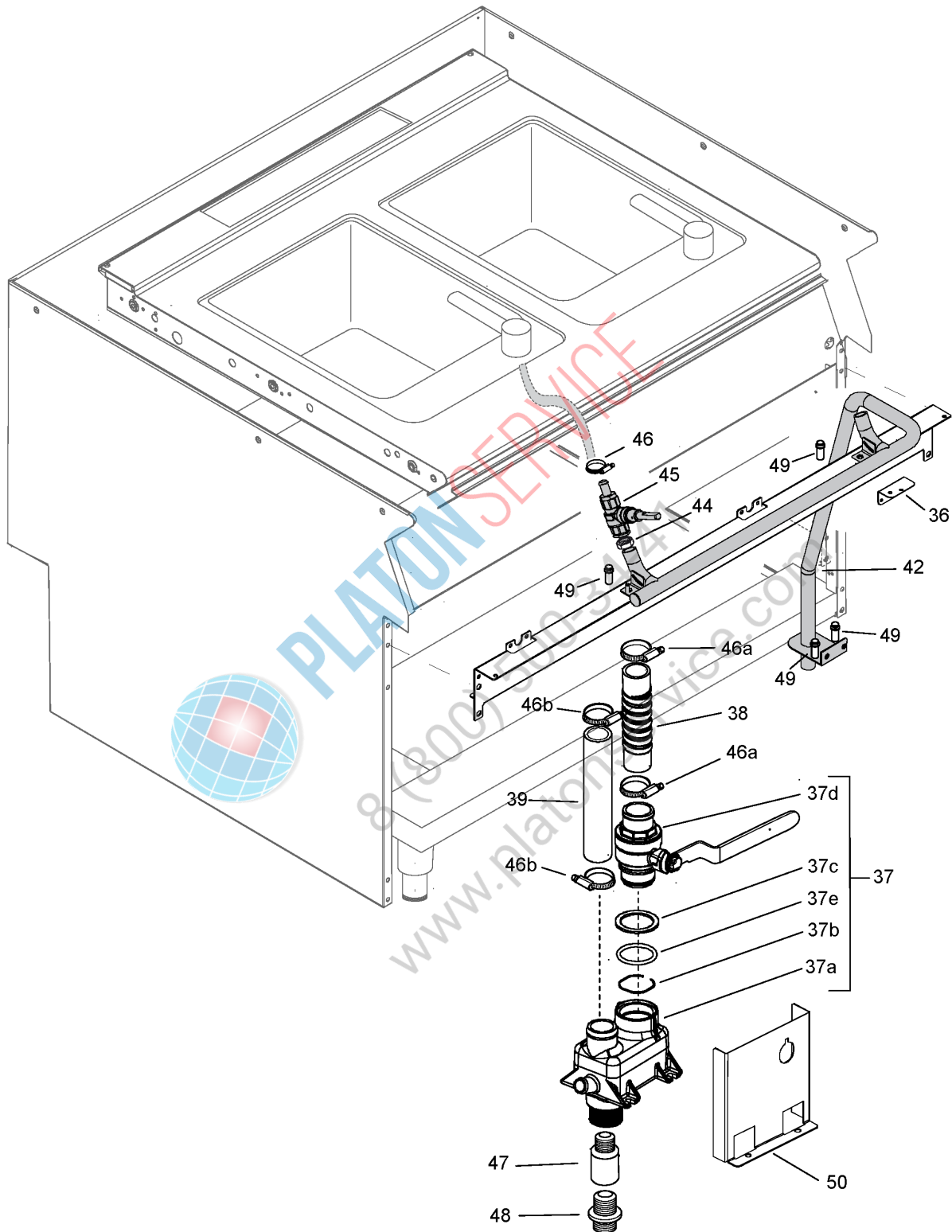
PLATON SERVICE

8 (800) 500-34-41

www.platonservice.com

FROM S/N 3 38 - DA MATRICOLA S/N 3 38

Idraulic circuit (water) / Componenti impianto idraulico (acqua)



From sr. Nr/ Da Ser. Nr.: 3381

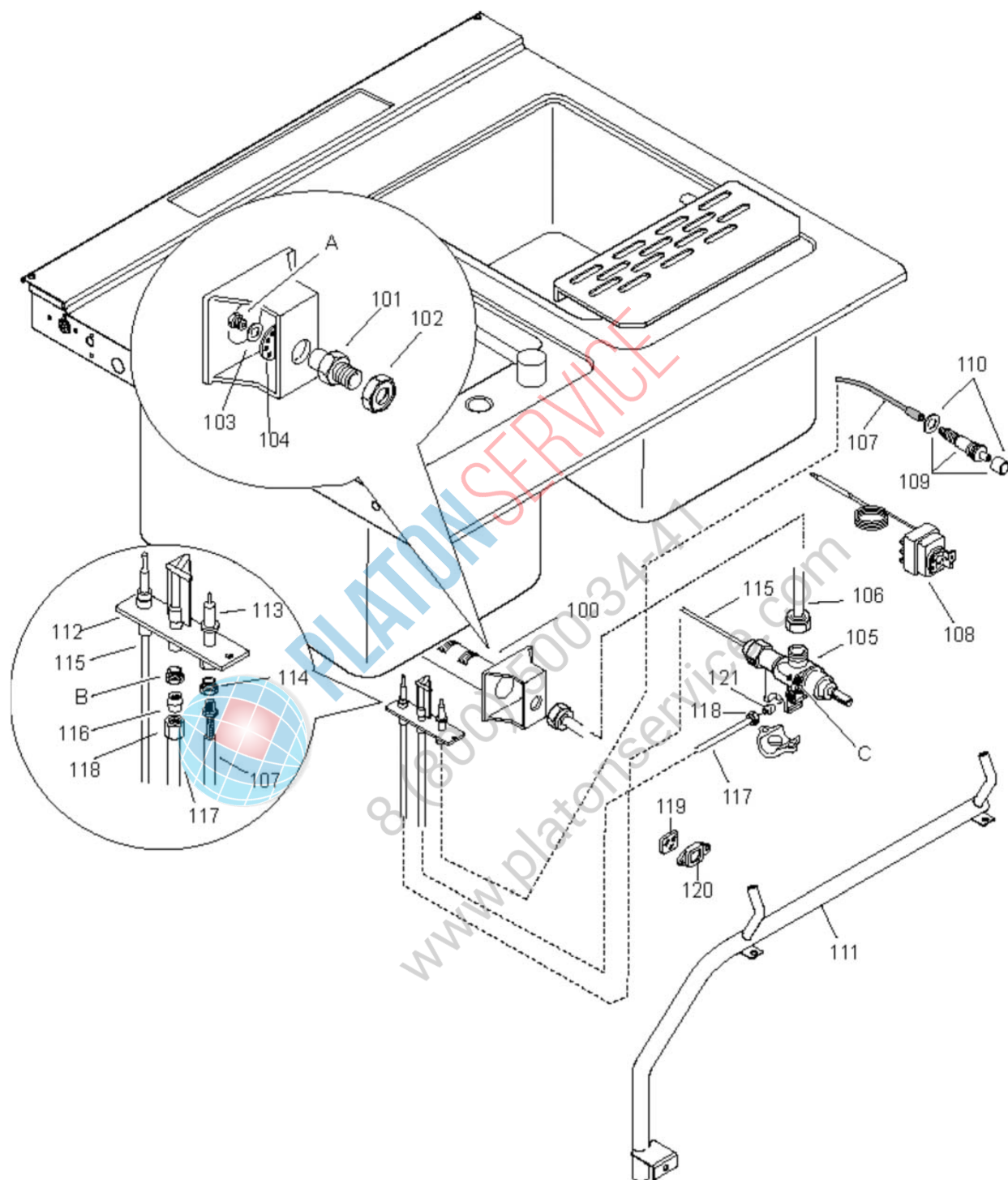
From status level / Da scatto:

Page: 3, ed 12, 2018 10

Doc. Nr.: **059785GJ00**

| ?????? | 391126 | | | | | | | | |
|--------|-----------|------------|-------------------|---|---|--|---|-------------------------------|---|
| ?????? | 59785GJ00 | ???????? 3 | Hydraulic circuit | | | | | | |
| . | | Alias | | S | | | . | | (Euro) |
| 0036 | 0C9743 | 50689DY00 | | | D | | | DRILLING JIG | a,b,c,d,u,i,l,m,n,o,p,q,r,s,t - TB PDX2013-03 13,39 |
| 0037 | 0C6953 | 855899X02 | 0CA490 | | | | | DRAIN MANIFOLD | a,b,c,d,u,i,l,m,n,o,p,q,r,s,t - Up to 5481... |
| 0037 | 0CA490 | 855899X06 | | S | | | | DRAIN MANIFOLD | a,b,c,d,u,i,l,m,n,o,p,q,r,s,t - From 5491... |
| 0038 | 0C9200 | 544825P00 | 0CA373 | | | | | DRAIN HOSE; L=225MM; DIA.38MM | Up to 5201... |
| 0038 | 0CA373 | 544825Z00 | | S | | | | DRAIN HOSE; DIA.30MM L=171MM | a,b,c,d,f,u,i,l,m,n,o,p,q,r,s,t - From 5211... |
| 0039 | 0C7133 | 544825F00 | | S | | | | OWERFLOW PIPE | a,b,c,d,u,i,l,m,n,o,p,q,r,s,t 26,39 |
| 0042 | 0C9633 | 83089JZ01 | | | | | | WATER PIPE; CP 1/2M | a,c,i,m,o,q - 1x40 WELL 81,00 |
| 0042 | 0C9740 | 83089KF02 | | | | | | WATER PIPE; KIT FOR 1/2M | a,c,i,m,o,q - TB PDX2013-03 - 1x40 WELL 159,40 |
| 0044 | 0C8993 | 516875100 | | S | | | | LOCK NUT; 3/8"; SP.6MM | a,b,c,d,u,i,l,m,n,o,p,q,r,s,t 5,13 |
| 0045 | 0C9635 | 835877Z00 | | S | | | | BALL VALVE; 3/8" | a,b,c,d,u,i,l,m,n,o,p,q,r,s,t 55,01 |
| 0046 | 049888 | 518613100 | | S | | | | HOSE CLAMP | a,b,c,d,u,i,l,m,n,o,p,q,r,s,t 4,22 |
| 0047 | 0C9205 | 511851900 | | S | | | | SLEEVE; 1" GAS | Up to WK38-2013... 18,68 |
| 0048 | 0C9204 | 511851900 | | S | | | | NIPPLE; 1" GAS | Up to WK38-2013 15,78 |
| 0049 | 0C7118 | 518803100 | | S | | | | INSERT; M5 | a,b,c,d,u,i,l,m,n,o,p,q,r,s,t - TO FIX POS.42 1,02 |
| 0050 | 000000 | 50589L700 | | | | | | | a,b,c,d,u,i,l,m,n,o,p,q,r,s,t - Except for KIP |
| 037a | 0CA570 | 544825903 | 0CA490 | | | | | WATER DRAIN FITTING | a,b,c,d,u,i,l,m,n,o,p,q,r,s,t - From 5491... 18,37 |
| 037b | 0CA571 | 516899A02 | | | | | | SPRING RING | a,b,c,d,u,i,l,m,n,o,p,q,r,s,t - From 5491... 17,46 |
| 037c | 0CA463 | 206800101 | | | | | | WASHER; DI.33.2 DE.42 SP.2MM | a,b,c,d,u,i,l,m,n,o,p,q,r,s,t - From 5491... 3,55 |
| 037d | 0CA464 | 80589A303 | 0CA490 | | | | | WATER VALVE; 1" | a,b,c,d,u,i,l,m,n,o,p,q,r,s,t - From 5491... 38,57 |
| 037e | 0C6800 | 543827500 | | S | | | | O-RING; DIA.32.93XSP.3.53 | a,b,c,d,u,i,l,m,n,o,p,q,r,s,t 6,17 |
| 046a | 0C9201 | 518825C00 | | S | | | | CLAMP; 37-40MM | a,b,c,d,u,i,l,m,n,o,p,q,r,s,t 12,46 |
| 046b | 0L2728 | 518613300 | | S | | | | CLAMP; 25-40 9MM INOX | a,b,c,d,u,i,l,m,n,o,p,q,r,s,t 4,65 |

Gas components / Componenti gas



From sr. Nr/ Da Ser. Nr.: 3381

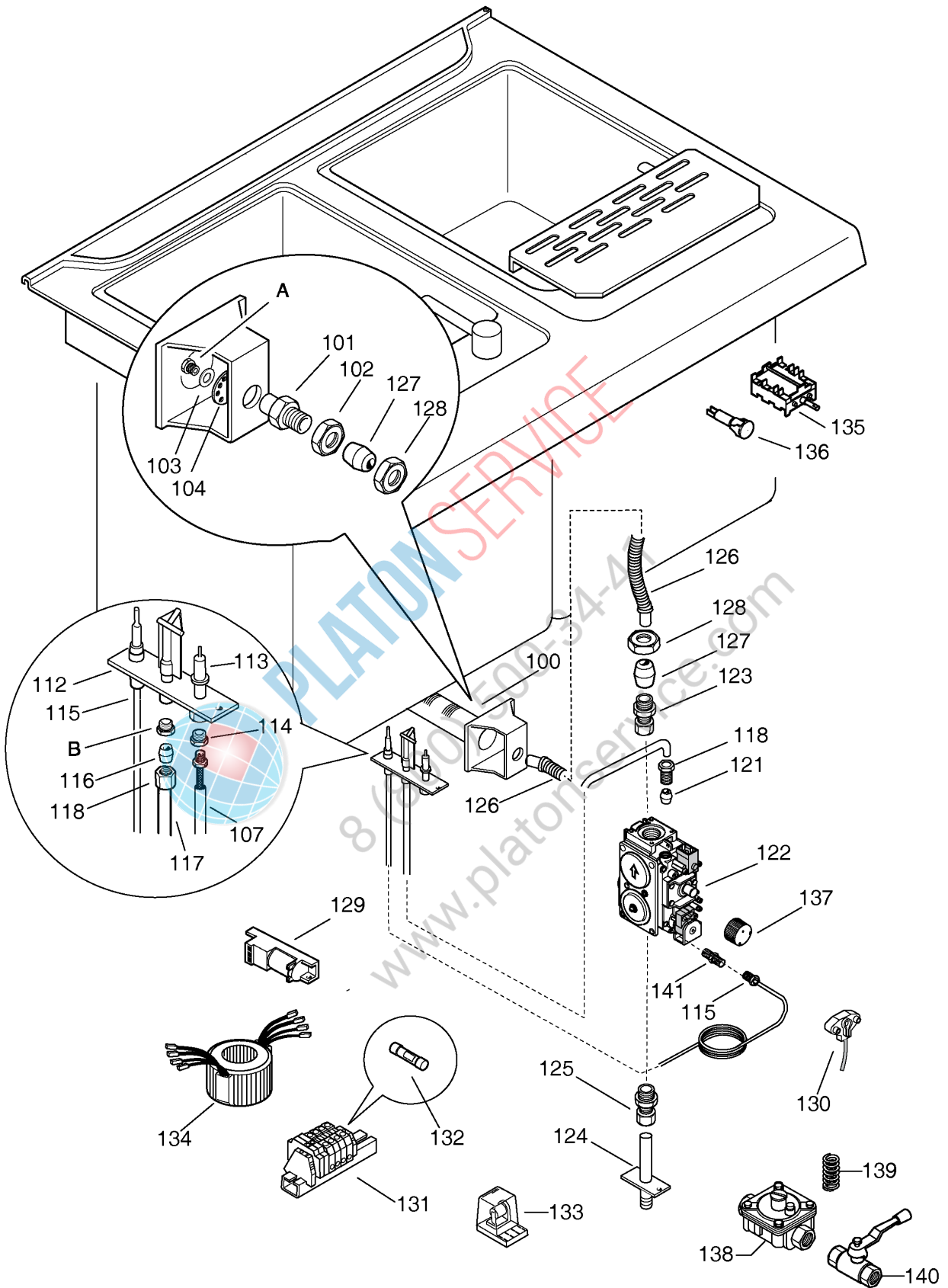
From status level / Da scatto:

Page: 5, ed 12, 2018 10

Doc. Nr.: **059785GJ00**

| ?????? | 391126 | | | | | | | | | |
|--------|-----------|------------|----------------|---|---|---|-------|--|-----------------------------------|--------|
| ?????? | 59785GJ00 | ???????? 5 | Gas components | | | | | | | |
| . | | Alias | | S | | | . | | | (Euro) |
| 0100 | 0C8028 | 83089DV01 | | S | | | | BURNER | all GAS except for e,f | 77,85 |
| 0101 | 054118 | 514829700 | | | | | | NOZZLE | | 6,90 |
| 0102 | 020997 | 214105101 | | S | | | | LOCK NUT | | 1,25 |
| 0103 | 054029 | 506833401 | | S | | | | GASKET | | 1,02 |
| 0104 | 054039 | 830828001 | | S | | | | AERATOR | | 6,59 |
| 0105 | 0C8647 | 835875R01 | | S | | | | GAS TAP | a,b,c,d,u,i,l,m,n,o,p,q,r,s,t | 107,50 |
| 0106 | 0C8029 | 80589AN00 | | | | | | VALVE-BURNER PIPE | a,b,c,d,u,i,l,m,n,o,p,q,r,s,t | 14,12 |
| 0107 | 0C9198 | 80589BY00 | | S | A | | | IGNITION CABLE; L=700MM | 700MM - LONG | 7,46 |
| 0109 | 059251 | 835829600 | 0C9240 | | | | 02005 | PIEZOELECTRIC IGNITER | a,b,c,d,e,f,u,i,l,m,n,o,p,q,r,s,t | |
| 0109 | 0C9240 | 835834901 | | S | A | + | | PIEZOELECTRIC IGNITER | a,b,c,d,e,f,u,i,l,m,n,o,p,q,r,s,t | 20,40 |
| 0109 | 0C9407 | 541809001 | 0C9409 | | A | + | | PUSH BUTTON COVER | a,b,c,d,e,f,u,i,l,m,n,o,p,q,r,s,t | |
| 0109 | 0C9408 | 516814601 | 0C9409 | | | | | WASHER; FOR PIEZOELECTRIC IGNITER | a,b,c,d,e,f,u,i,l,m,n,o,p,q,r,s,t | |
| 0110 | 0C9409 | | | S | | | Kit | PUSH BUTTON COVER; KIT | a,b,c,d,e,f,u,i,l,m,n,o,p,q,r,s,t | 4,49 |
| 0111 | 0C8031 | 83089DA00 | | | | | | GAS FEED PIPE | a,c,i,m,o,q - 1x40 WELL | 44,25 |
| 0112 | 054032 | 830828100 | | S | | | | PILOT BURNER | | 18,32 |
| 0113 | 052610 | 330272401 | | S | | | | SPARK PLUG; DIA 6X44 MM | | 4,40 |
| 0114 | 052125 | 214164400 | | S | | | | PIPE FITTING; M10X1; HOLE DIAM.4MM | | 1,00 |
| 0115 | 0C3162 | 831818901 | | S | A | | | INTERRUPTED THERMOCOUPLE; ORKLY 16400-35 | a,b,c,d,u,i,l,m,n,o,p,q,r,s,t | 30,25 |
| 0116 | 053665 | 515827401 | | S | | | | DOUBLE CONE; DIAM.=4MM | | 1,00 |
| 0117 | 0C8032 | 51589A901 | | S | | | | PIPE | a,b,c,d,u,i,l,m,n,o,p,q,r,s,t | 9,83 |
| 0118 | 052125 | 214164400 | | S | | | | PIPE FITTING; M10X1; HOLE DIAM.4MM | | 1,00 |
| 0119 | 000000 | | | | | | | | | |
| 0120 | 000000 | | | | | | | | | |
| 0121 | 052127 | 215199700 | | S | | | | DOUBLE CONE; DIA 4MM | | 1,00 |

Gas components / Componenti gas



From sr. Nr/ Da Ser. Nr.: 3381

From status level / Da scatto:

Page: 6, ed 12, 2018 10

Doc. Nr.: **059785GJ00**

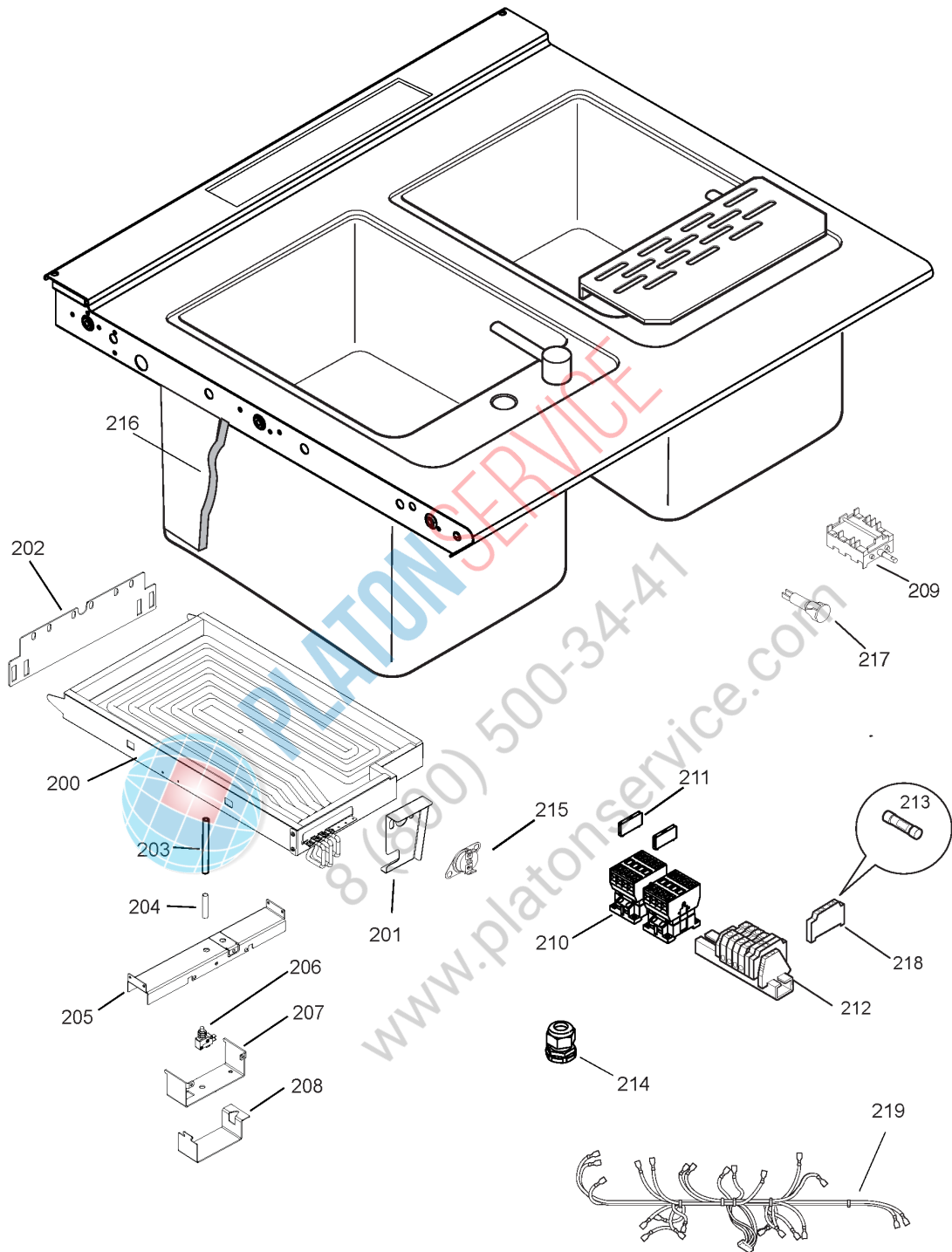
| ?????? | | 391126 | | | | | | | | | |
|--------|--------|-----------|--|------------|---|----------------|---|--|-------------------------------|--------|--|
| ?????? | | 59785GJ00 | | ???????? 6 | | Gas components | | | | | |
| . | | Alias | | S | | | . | | | (Euro) | |
| 0100 | 0C8028 | 83089DV01 | | S | | | | BURNER | all GAS except for e,f | 77,85 | |
| 0101 | 054118 | 514829700 | | | | | | NOZZLE | | 6,90 | |
| 0102 | 020997 | 214105101 | | S | | | | LOCK NUT | | 1,25 | |
| 0103 | 054029 | 506833401 | | S | | | | GASKET | | 1,02 | |
| 0104 | 054039 | 830828001 | | S | | | | AERATOR | | 6,59 | |
| 0107 | 0C9198 | 80589BY00 | | S | A | | | IGNITION CABLE; L=700MM | 700MM - LONG | 7,46 | |
| 0112 | 054032 | 830828100 | | S | | | | PILOT BURNER | | 18,32 | |
| 0113 | 052610 | 330272401 | | S | | | | SPARK PLUG; DIA 6X44 MM | | 4,40 | |
| 0114 | 052125 | 214164400 | | S | | | | PIPE FITTING; M10X1; HOLE DIAM.4MM | | 1,00 | |
| 0115 | 0C3162 | 831818901 | | S | A | | | INTERRUPTED THERMOCOUPLE; ORKLY 16400-35 | a,b,c,d,u,i,l,m,n,o,p,q,r,s,t | 30,25 | |
| 0116 | 053665 | 515827401 | | S | | | | DOUBLE CONE; DIAM.=4MM | | 1,00 | |
| 0117 | 0C8032 | 51589A901 | | S | | | | PIPE | a,b,c,d,u,i,l,m,n,o,p,q,r,s,t | 9,83 | |
| 0118 | 052125 | 214164400 | | S | | | | PIPE FITTING; M10X1; HOLE DIAM.4MM | | 1,00 | |
| 0121 | 052127 | 215199700 | | S | | | | DOUBLE CONE; DIA 4MM | | 1,00 | |



PLATON SERVICE
8 (800) 500-34-47
www.platonservice.com

FROM S/N 8251 - DA MATRICOLA S/N N 8251

Electric components / Componenti elettrici



Actual wire harness may be different from illustration.
Il cablaggio elettrico puo' essere diverso dall'illustrazione

From sr. Nr/ Da Ser. Nr.: 3381

From status level / Da scatto:

Page: 7, ed 12, 2018 10

Doc. Nr.: **059785GJ00**

| ??????? | | 391126 | | | | | | | | | |
|---------|--------|-----------|--------|-------------|---|---------------------|--|---|--|--|--------|
| ??????? | | 59785GJ00 | | ????????? 7 | | Electric Components | | | | | |
| | | Alias | | S | | | | | | | (Euro) |
| 0200 | OCB381 | 61783AM00 | | S | | | | HEATING ELEMENT; 400V 10KW | From 8251 - PDX2018-03 | | 273,00 |
| 0201 | OCB475 | 50289H101 | OCB476 | | D | | | HEATING ELEMENT SUPPORT | From 8251 - PDX2018-03 | | 13,09 |
| 0202 | OCB474 | 50489TZ02 | OCB476 | | D | | | HEATING ELEMENT SUPPORT; THERMALIZER PAN | From 8251 - PDX2018-03 | | 19,26 |
| 0203 | OC8182 | 569807501 | | S | | | | STEATITE TUBE | | | 13,49 |
| 0204 | OCB496 | 51489DT01 | | S | | | | BRAS ROD | From 8251 - PDX2018-03 | | 18,00 |
| 0205 | OCA958 | 50489T402 | | | D | | | SUPPORT; FOR ROD and MICRO | From 8251 - PDX2018-03 | | 35,31 |
| 0206 | OCA553 | 640804N00 | | | | | | MICROSWITCH | From 8251 - PDX2018-03 | | 19,59 |
| 0207 | 000000 | 50589JP00 | | | | | | | From 7451 | | |
| 0208 | 000000 | 50789A000 | | | | | | | From 7451 | | |
| 0209 | OC7353 | 641805101 | | S | A | | | COMMUTATOR; 8 POLI 5 POS. | c,d,u - ELUX | | 30,55 |
| 0210 | OC7622 | 648807900 | | S | A | | | CONTACTOR; 230V 50/60HZ | | | 30,75 |
| 0211 | 000000 | H58194500 | | | | | | | | | |
| 0212 | 006854 | 639806600 | | S | | | | TERMINAL BOARD | | | 42,22 |
| 0213 | OC1884 | 652806400 | | S | | | | FUSE; T10A; USA; 10X38MM | 10 A | | 61,71 |
| 0214 | OC0068 | 544802300 | | S | | | | FIXING CABLE | | | 4,18 |
| 0215 | OC6155 | 653800000 | | S | | | | KLIXON; 120°C; RIP MANUAL | c,d,u,i,l,o,p - (electric) | | 15,84 |
| 0216 | OCA200 | 560873903 | | | | | | INSULATOR | | | 28,93 |
| 0217 | 005010 | 876800002 | | S | | | | GREEN PILOT LAMP ASSY; ROUND; 230V | | | 4,76 |
| 0218 | 075737 | 652603200 | | S | | | | FUSE HOLDER | | | 10,54 |
| 0219 | OC9678 | 638899T02 | | S | | | | WIRING HARNESS | c,i,o - 1x40 WELL | | 115,70 |
| 0219 | OCB458 | | | | D | | | Gas Pasta cooker maintenance;KIT;N900 40 | 40LT Gas Pasta cooker (12+44+45+46+109+112+113 +114+115+116+118+121+nozz zles TABLE B) | | 116,20 |
| 0219 | OCB459 | | | | D | | | Gas Pasta cooker 3rd year maintenance;KI | 40LT Gas Pasta cooker (12+39+44+45+46+4x46b +109+112+113+114+115+11 6+118+121+ nozzles TABLE B) | | 136,20 |
| 0219 | OCB460 | | | | D | | | Electric Pasta cooker maintenance;KIT; 4 | 40LT Electric Pasta cooker (12+44+45+46) | | 72,50 |
| 0219 | OCB461 | | | | D | | | Electric Pasta cooker 3rd year maintenan | 40LT Electric Pasta cooker (12+39+44+45+46+4x46b) | | 91,70 |
| 0219 | OCB462 | | | | D | | | Gas Pasta cooker maintenance;KIT;N900 2X | 2X 40LT Gas Pasta cooker (2x12+2x44+2x45+2x46+2x1 09+2x112+2x113+2x114+2x1 15+2x116+2x118+2x121+nozz zles TABLE B) | | 198,10 |
| 0219 | OCB463 | | | | D | | | Gas Pasta cooker 3rd year maintenance;KI | 2X 40LT Gas Pasta cooker (2x12+2x39+2x44+2x45+2x4 6+8x46b +2x109+2x112+2x113+2x114 +2x115+2x116+2x118+2x121 +nozzles TABLE B) | | 223,00 |
| 0219 | OCB464 | | | | D | | | Electric Pasta cooker maintenance;KIT; 2 | 2X 40LT Electric Pasta cooker (2x12+2x44+2x45+2x46) | | 121,20 |
| 0219 | OCB465 | | | | D | | | Electric Pasta cooker 3rd year maintenan | 2X 40LT Electric Pasta cooker (2x12+2x39+2x44+2x45+2x4 6+8x46b) | | 152,60 |

Gas nozzles / Ugelli per gas

| A - Ugello bruciatore / Burner nozzle | | | | |
|--|------------|-----------|---------|--------------|
| Code | Spare Code | Reference | | Ref / PNC |
| 514899200 | 005934 | ø2.05 | 3+3B/P | G30 30mbar |
| 516821700 | 003514 | ø1.95 | 3B/P | G30 37mbar |
| 514833600 | 054631 | ø1.80 | 3B/P | G30 50mbar |
| 514831200 | 054034 | ø3.00 | 2H/2E+ | G20 20mbar |
| 516844100 | 006419 | ø2.90 | 2H | G20 25mbar |
| 514869900 | 058245 | ø3.25 | 2L | G25 25mbar |
| 514831200 | 054034 | ø3.00 | 2K | G25.3 25mbar |
| 516844400 | 0C9487 | ø3.45 | 2ELL | G25 20mbar |
| 514869900 | 058245 | ø3.25 | 2S | G25.1 25mbar |
| 514848900 | 055018 | Ø2.20 | Propane | |
| 516844100 | 006419 | Ø2.90 | Methane | |
| | | | | KOREA market |
| | | | | KOREA market |

| B - Ugello Pilota / Burner nozzle | | | | |
|--|------------|-----------|--------|--------------|
| Code | Spare Code | Reference | | Ref / PNC |
| 514833900 | 054286 | n° 24 | 3+3B/P | G30 30mbar |
| 514833900 | 054286 | n° 24 | 3B/P | G30 37mbar |
| 514833900 | 054286 | n° 24 | 3B/P | G30 50mbar |
| 514831500 | 054037 | n° 25 | 2H/2E+ | G20 20mbar |
| 514831500 | 054037 | n° 25 | 2H | G20 25mbar |
| 514831500 | 054037 | n° 25 | 2L | G25 25mbar |
| 514831500 | 054037 | n° 25 | 2K | G25.3 25mbar |
| 514831500 | 054037 | n° 25 | 2ELL | G25 20mbar |
| 514831500 | 054037 | n° 25 | 2S | G25.1 25mbar |
| 514833900 | 054286 | | | Propane |
| 514831500 | 054037 | | | Methane |
| | | | | KOREA market |
| | | | | KOREA market |

| C - Vite Minimo / Min Screw | | | | |
|------------------------------------|------------|-----------|---------|--------------|
| Code | Spare Code | Reference | | Ref / PNC |
| 0835820700 | 056742 | ø1.10 | 3+3B/P | G30 30mbar |
| 0835802000 | 002392 | ø0.95 | 3B/P | G30 37mbar |
| 0835802000 | 002392 | ø0.95 | 3B/P | G30 50mbar |
| 0835837000 | 002993 | ø1.80 | 2H/2E+ | G20 20mbar |
| 0835837000 | 002993 | ø1.80 | 2H | G20 25mbar |
| 0835837000 | 002993 | ø1.80 | 2L | G25 25mbar |
| 0835837000 | 002993 | ø1.80 | 2K | G25.3 25mbar |
| 0835837000 | 002993 | ø1.80 | 2ELL | G25 20mbar |
| 0835837000 | 002993 | ø1.80 | 2S | G25.1 25mbar |
| 0835820700 | 056742 | ø1.10 | Propane | |
| 0835837000 | 002993 | ø1.80 | Methane | |
| | | | | KOREA market |
| | | | | KOREA market |

From sr. Nr/ Da Ser. Nr.: 3381

From status level / Da scatto:

Page: 8, ed 12, 2018 10

Doc. Nr.: **059785GJ00**

?????? 391126
 ?????? 59785GJ00 ???????? 8 Gas nozzles

| . | | Alias | | S | | . | | (Euro) |
|------|--------|------------|--|---|--|--------------------------------------|--|--------|
| 0000 | 000000 | 0835802000 | | | | | | |
| 0000 | 000000 | 0835820700 | | | | | | |
| 0000 | 000000 | 0835837000 | | | | | | |
| 0000 | 000000 | 514831200 | | | | | | |
| 0000 | 000000 | 514831500 | | | | | | |
| 0000 | 000000 | 514833600 | | | | | | |
| 0000 | 000000 | 514833900 | | | | | | |
| 0000 | 000000 | 514848900 | | | | | | |
| 0000 | 000000 | 514869900 | | | | | | |
| 0000 | 000000 | 514899200 | | | | | | |
| 0000 | 000000 | 516821700 | | | | | | |
| 0000 | 000000 | 516844100 | | | | | | |
| 0000 | 000000 | 516844400 | | | | | | |
| 0000 | 002392 | | | | | SCREW | | 8,16 |
| 0000 | 002993 | | | S | | SCREW | | 8,16 |
| 0000 | 003514 | | | | | NOZZLE | | 5,54 |
| 0000 | 005934 | | | S | | NOZZLE | | 5,54 |
| 0000 | 006419 | | | S | | NOZZLE | | 5,54 |
| 0000 | 054034 | | | | | NOZZLE; DIA.3,00 | | 5,54 |
| 0000 | 054037 | | | S | | PILOT BURNER NOZZLE; N°25.2; GN | | 2,38 |
| 0000 | 054286 | | | S | | PILOT BURNER NOZZLE; DIA 0.25 GPL | | 2,38 |
| 0000 | 054631 | | | | | NOZZLE | | 5,60 |
| 0000 | 055018 | | | | | NOZZLE | | 5,05 |
| 0000 | 056742 | | | S | | SCREW | | 8,16 |
| 0000 | 058245 | | | | | NOZZLE; DIA.3,25 | | 4,47 |
| 0000 | 0C9487 | | | | | GAS NOZZLE; DIA.3,45MM | | 7,00 |